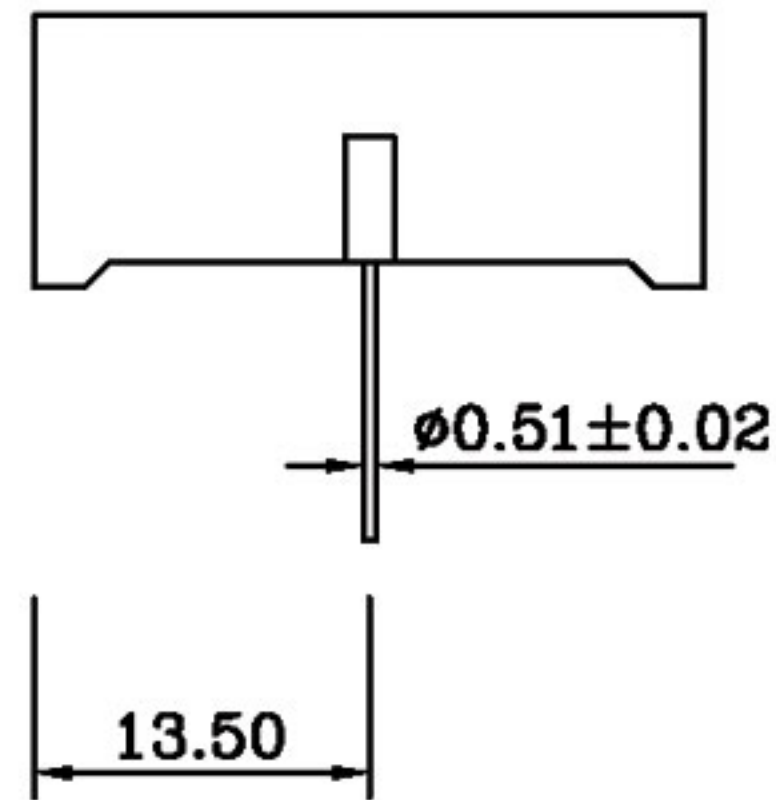
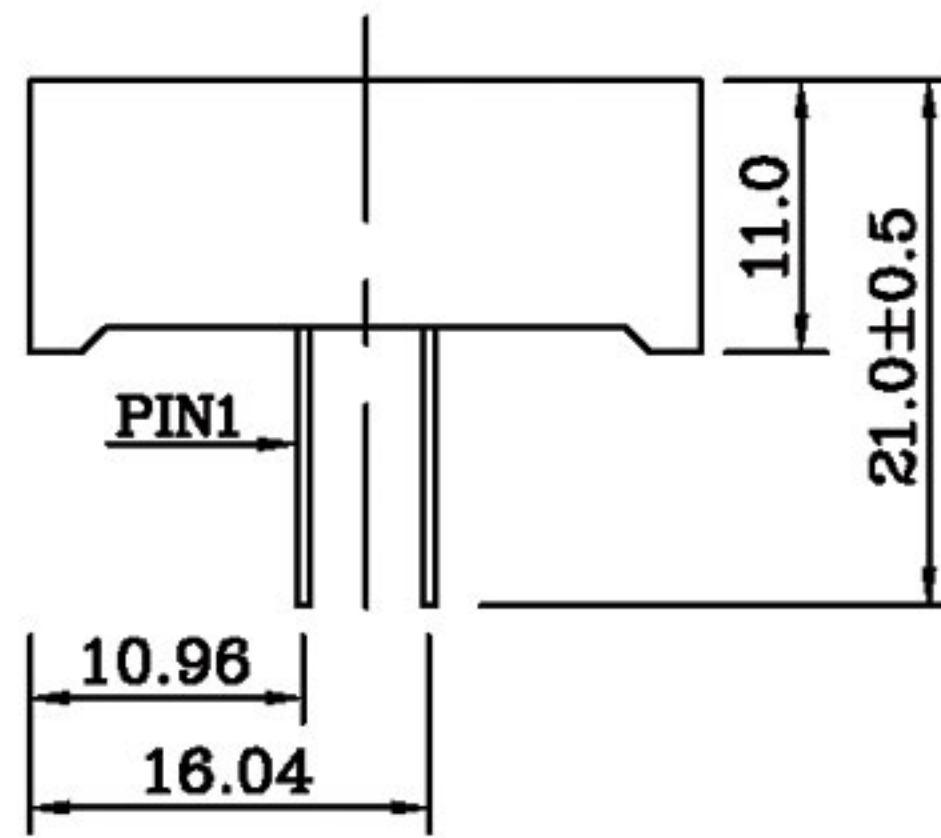
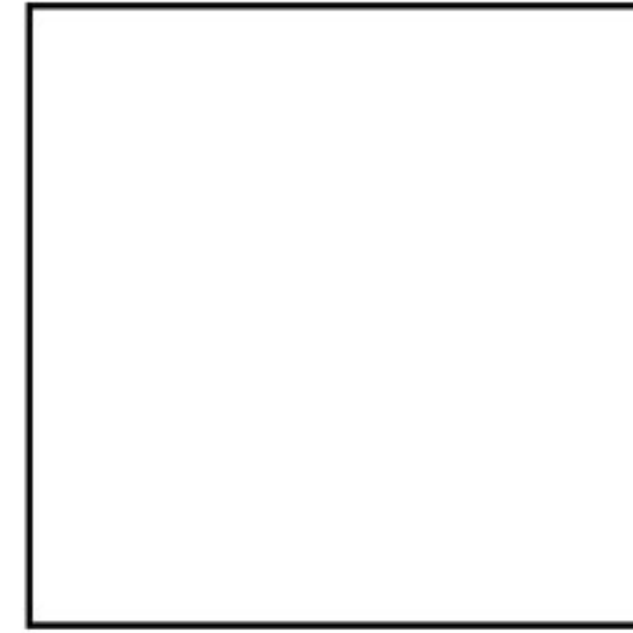
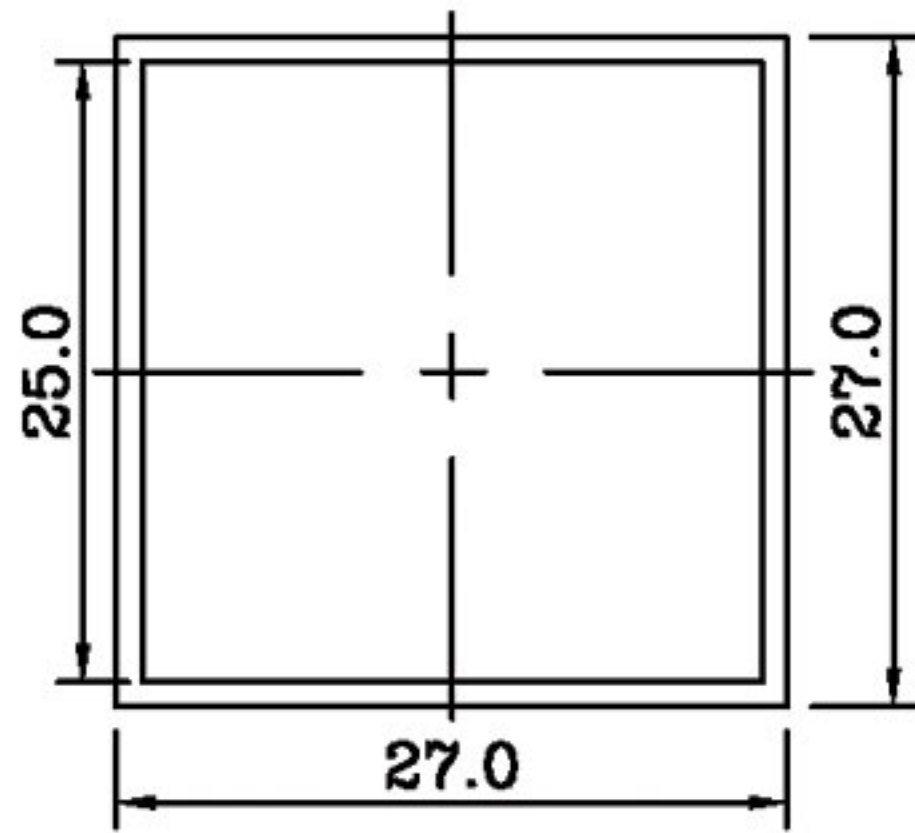




PACKAGE DIMENSIONS



INTERNAL CIRCUIT DIAGRAM

