



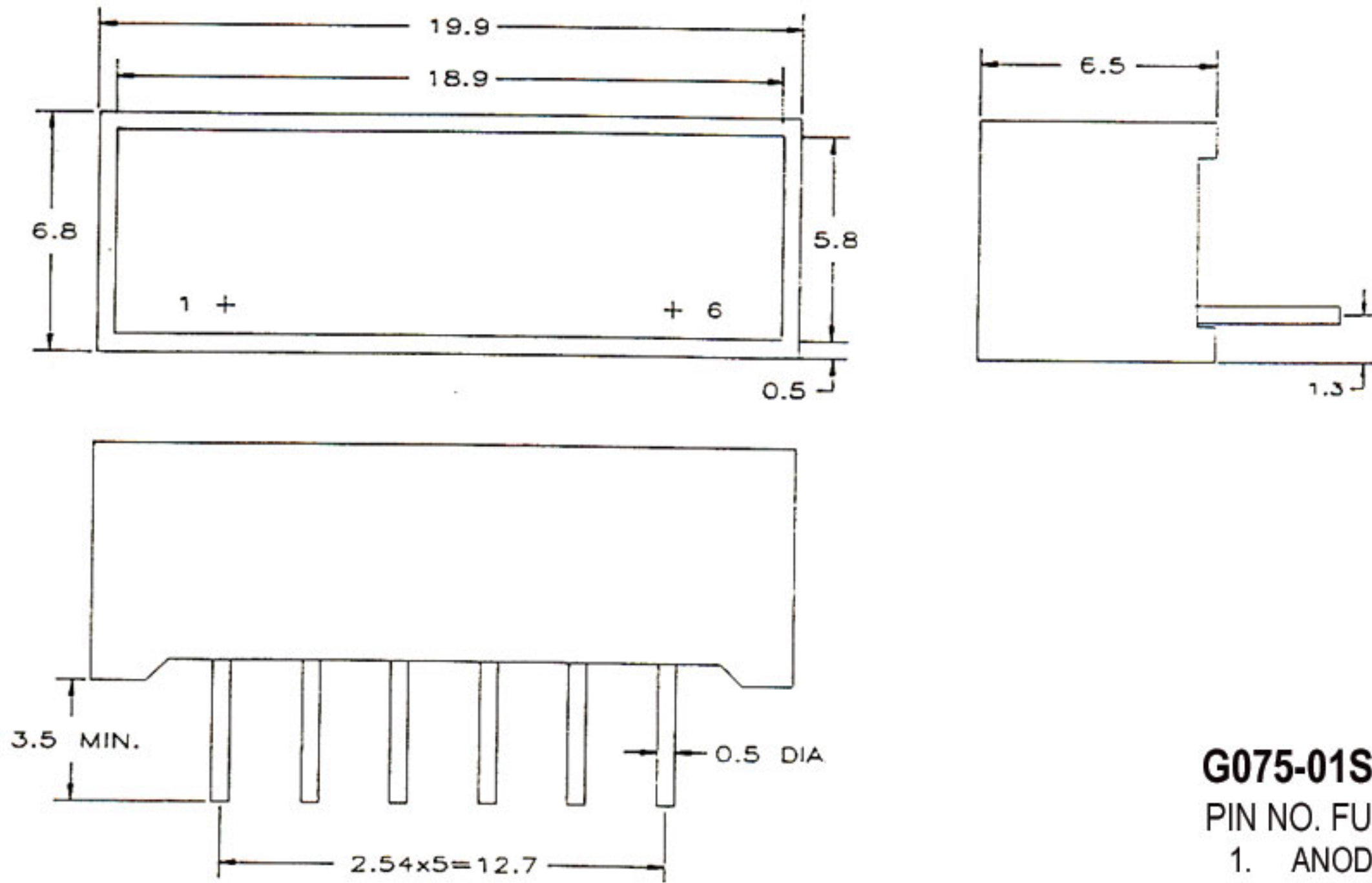
Absolute Maximum Ratings at $T_A=25^\circ\text{C}$

REVERSE VOLTAGE PER LED CHIP ($\leq 100\mu\text{A}$)	GaAsP RED 3.0V, OTHER 5.0V
D.C. FORWARD CURRENT PER LED CHIP	30 mA
PULSE CURRENT (1/10 DUTY CYCLE, 0.1 ms PULSE WIDTH) PER LED CHIP	100 mA
OPERATING TEMPERATURE RANGE.....	-25°C TO + 85°C
STORAGE TEMPERATURE RANGE.....	-25°C TO +100°C
LEAD SOLDERING TEMP. (1.6mm FROM SEATING PLANE)	260°C FOR 5 SEC.

Electrical/optical characteristics at $T_A=25^\circ\text{C}$

PART NUMBER	LED CHIP		FACE COLOR		PEAK WAVELENGTH @20mA(nm)	FORWARD VOLTAGE @20mA(V)		LUMINOUS INTENSITY @10(mcd)	
	MATERIAL	EMITTING COLOR	SURFACE	SEGMENT OR DOT		TYP.	MAX.	MIN.	TYP.
						G075-01SR-AEW	GaP	RED	WHITE
G075-01SG-AEW	GaP	GREEN	WHITE	GREEN	567	2.1	3.0	2.3	5.7
G075-01SY-AEW	GaAsP ON GaP	YELLOW	WHITE	YELLOW	585	2.1	3.0	1.8	4.6
G075-01S0-AEW	GaAsP ON GaP	ORANGE	WHITE	ORANGE	635	2.1	3.0	2.6	6.5
G075-01SH-ARR	GaAsP ON GaP	HI-EFF RED	WHITE	RED	635	2.1	3.0	2.6	6.5

Package Dimensions And Pin Function



G075-01SX-AXX

- PIN NO. FUNCTION
1. ANODE
 2. CATHODE
 3. ANODE
 4. CATHODE
 5. ANODE
 6. CATHODE

1. ALL DIMENSIONS ARE IN mm, TOLERANCE IS = 0.25mm UNLESS OTHERWISE NOTED
2. THE SLOPE ANGLE OF ANY PIN MAY BE = 5.0 MAX.