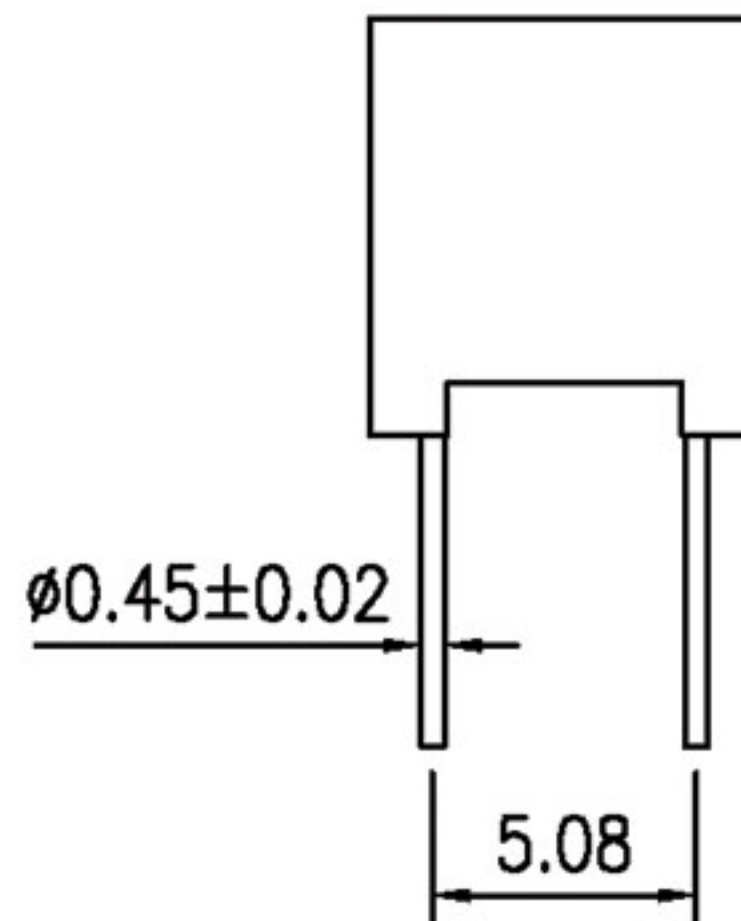
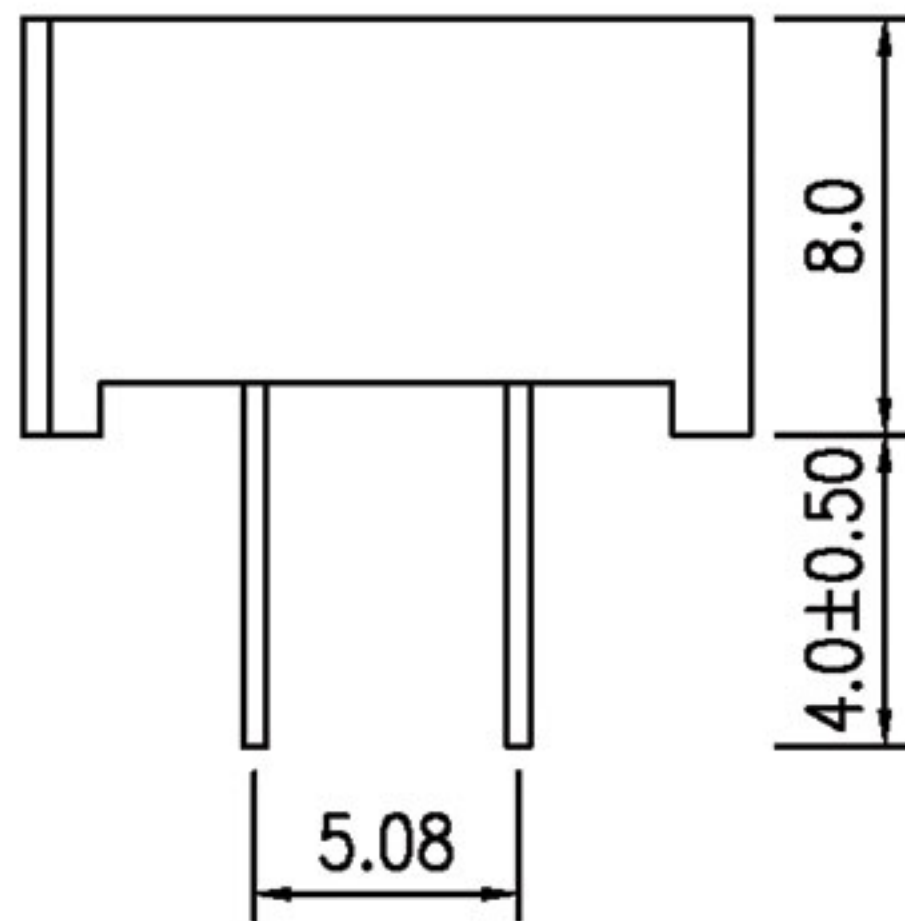
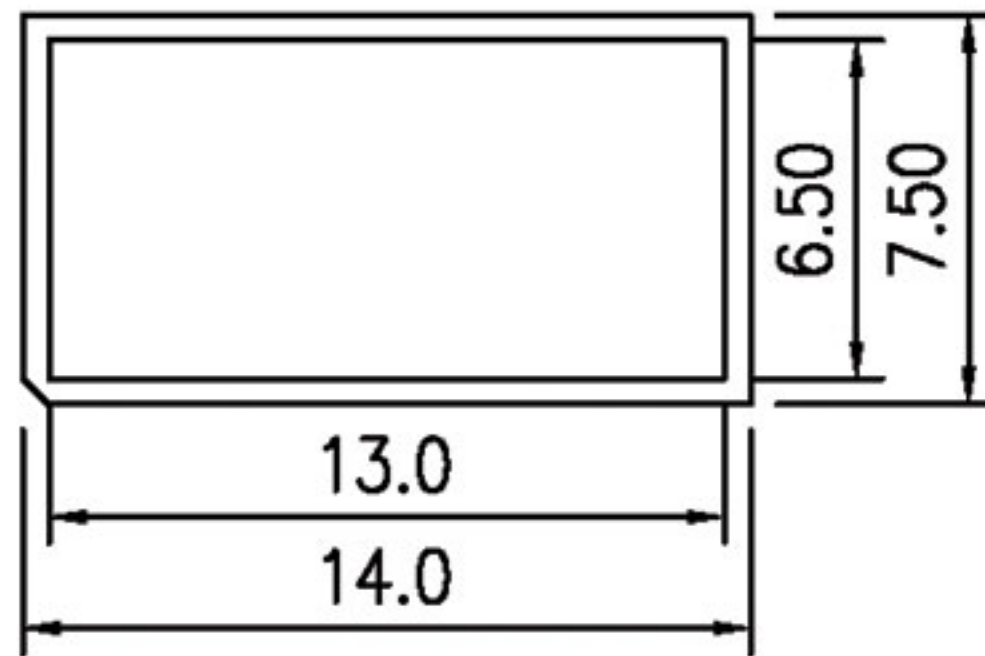




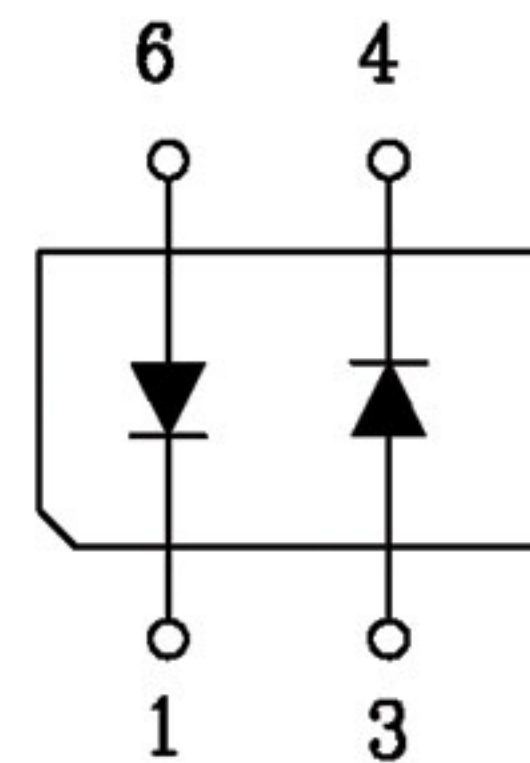
PACKAGE DIMENSIONS



NORMAL TOLERANCE: ± 0.25

ANGLE: $\pm 1^\circ$

INTERNAL CIRCUIT DIAGRAM



2,5 NO PIN