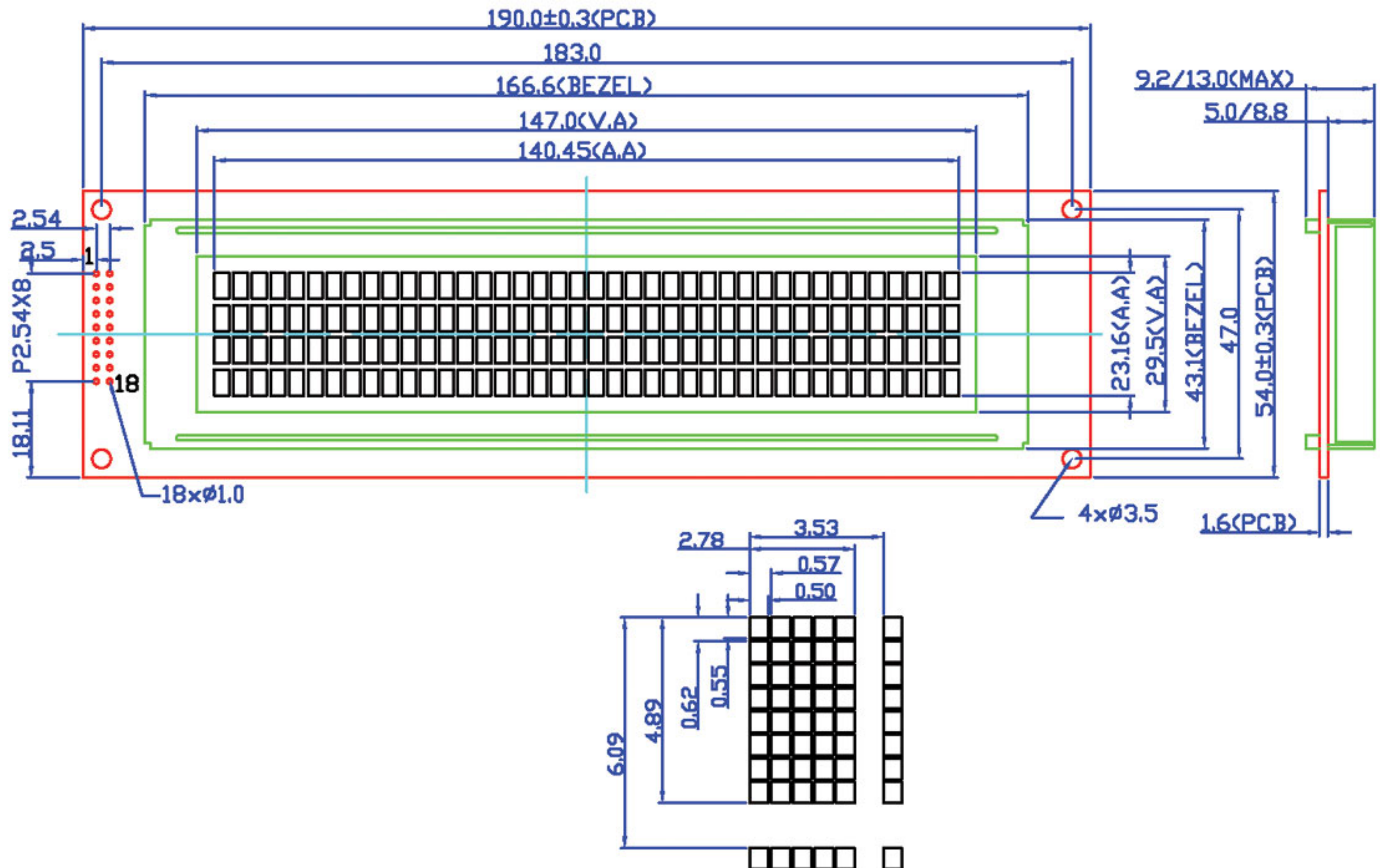




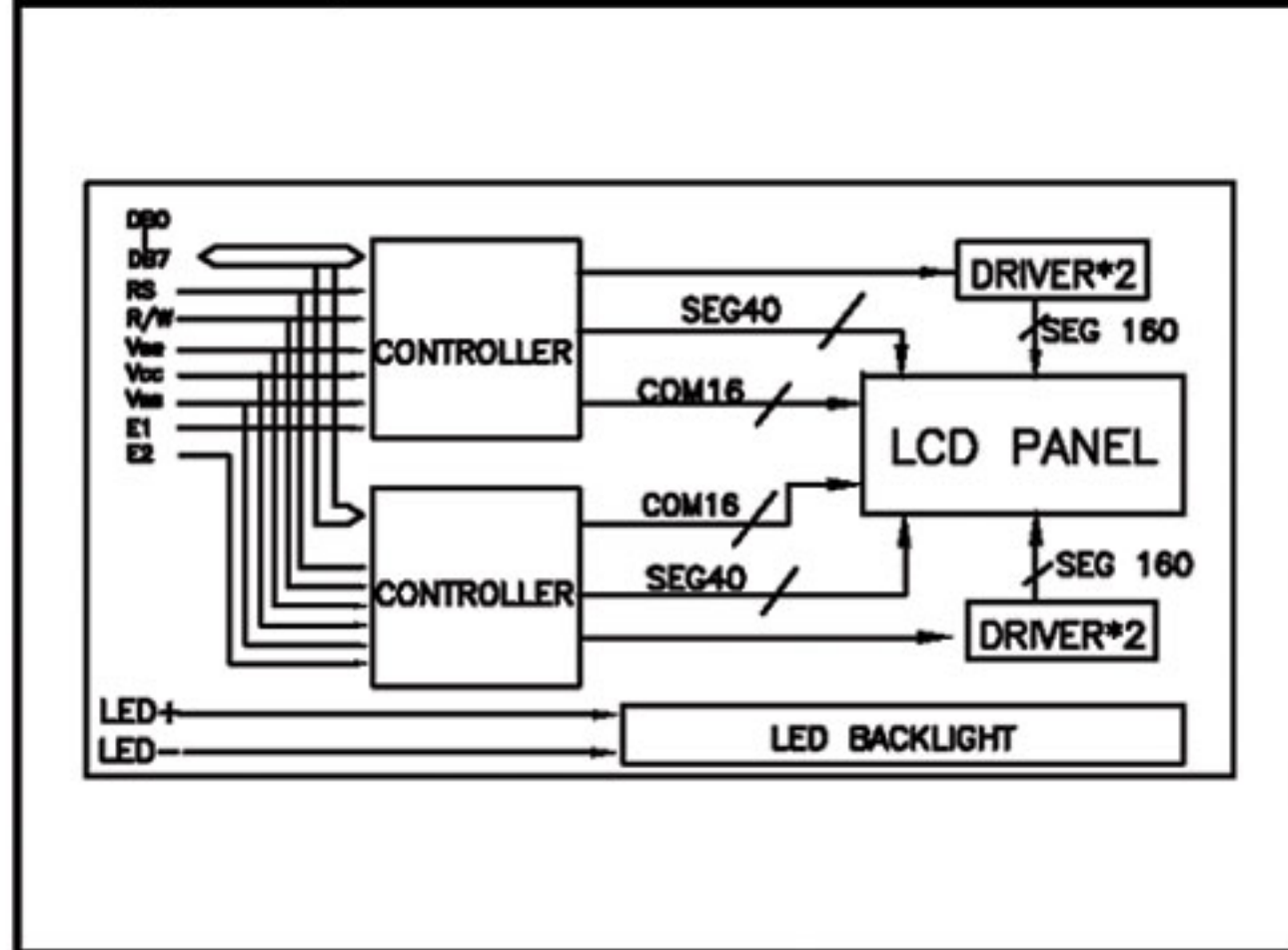
PACKAGE DIMENSIONS:



PIN Connections		
PIN	SYMBOL	SIGNAL DESCRIPTION
1-8	DB7-DB0	Data Bus Line
9	E1	Enable Signal For Left
10	RS	Instruction/Data Register Select
11	R/W	Data Read/Write
12	Vo	Contrast Adjust
13	Vss	Power Supply(GND)
14	Vdd	Power Supply(+5V)
15	E2	Enable Signal For Right
16	NC	NC
17	K	Power Supply for LED B/L (-)
18	A	Power Supply for LED B/L (+)

Absolute Maximum Ratings						
Parameter	Symbol	Min.	Max.	Unit		
Supply Voltage	Vdd	-0.3	7.0	V		
LCD Supply Voltage	Vee	Vdd-15.0	0	V		
Input Voltage	Vr	-0.3	Vdd+0.3	V		
Operating Temperature	Top	0	50	°C		
Storage Temperature	Tstg	-20	70	°C		

Bottom BackLight Characters (Ta=25 ° C)						
Parameter	Symbol	Condition	Min.	Typ.	Max.	Unit
Supply Voltage	V _{LED}	—	—	4.2	—	V
LED Forward Consumption Current	I _f	Ta=25° C V _f =4.1V	—	450	—	mA
LED Allowable Dissipation	P _d	—	—	1900	—	mW



Electrical Characteristics (Ta=25 ° C)						
Item	Symbol	Condition	Min.	Typ.	Max.	Unit
Supply Voltage (Logic)	Vdd-Vss	—	4.5	5.0	5.5	V
Supply Current (Logic)	I _{dd}	VDD=5.0V	—	1.0	2.2	mA
Driving Current (LCD)	I _{ee}	V _{ee} =4.2V	—	1.46	—	mA
Driving Voltage (LCD)	Vdd-V _{ee}	—	—	4.5	—	V
Input Voltage "H"	V _{ih}	H	0.8V _{dd}	—	VDD	V
Input Voltage "L"	V _{il}	L	V _{ss}	—	0.8	V
Output Voltage "H"	V _{oh}	H	2.4	—	—	V
Output Voltage "L"	V _{ol}	L	—	—	0.4	V