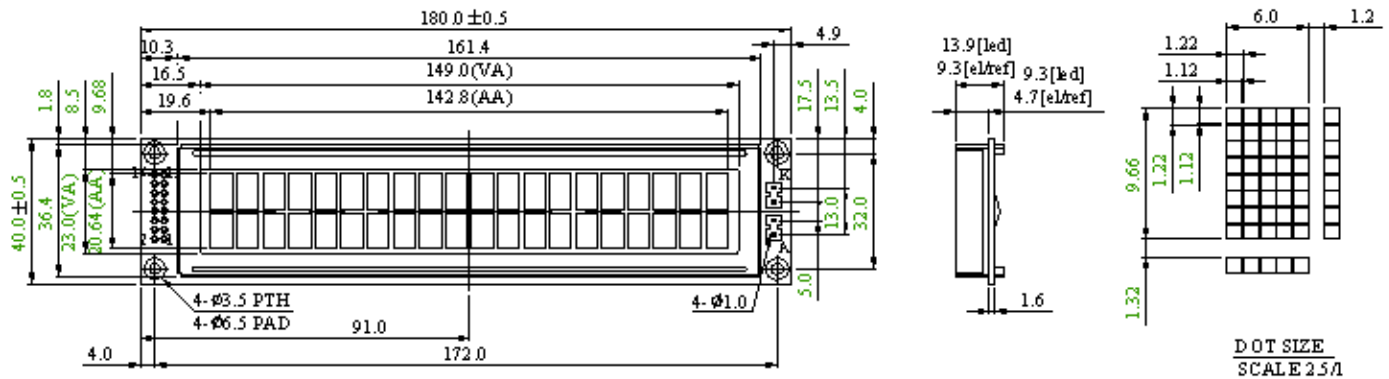


## MECHANICAL



## Features &amp; Mechanical Data

|    | Item                                     | Standard Value | Unit |
|----|--|----------------|------|
| 1. | COB with metal frame                     |                |      |
| 2. | 5x7 dots with cursor                     |                |      |
| 3. | Built-in controller KS0066 or equivalent |                |      |
| 4. | + 5V single power supply                 |                |      |
| 5. | 1/16 duty cycle                          |                |      |
| 6. | LED B/L pins: 1/2, or 15/16, or A/K      |                |      |
| 7. | Option: +3V single power supply          |                |      |
| 8. | Option: LED, EL B/L                      |                |      |
|    | Module Dimension                         | 180.0 x 40.0   | mm   |
|    | Viewing Area                             | 149.0 x 23.0   | mm   |
|    | Dot Size                                 | 1.12 x 1.12    | mm   |
|    | Character Size                           | 6.0 x 9.66     | mm   |

## Electrical &amp; Pin Assignment

| Pin    | Symbol  | Function  |
|--------|---------|---|
| 1      | Vss     | GND   |
| 2      | Vdd     | +5V(+3V option)                                 |
| 3      | Vo      | Contrast Adjustment                             |
| 4      | RS      | H/L register select signal                      |
| 5      | R/W     | H/L read/write signal                           |
| 6      | E       | H --> L enable signal                           |
| 7 ~ 14 | DB0 ~ 7 | H/L data bus line                               |
| 15     | A/Vee   | Power supply for LED(+)/Negative Voltage output |
| 16     | K       | power supply for B/L(GND)                       |

| Item                | Symbol   | Condition        | Typical Value | Unit |
|---------------------|----------|------------------|---------------|------|
| Input Voltage       | Vdd      | Vdd = +5V        | 5.0           | V    |
| Supply Current      | Idd      | Vdd = +5V        | 2.3           | mA   |
| LCD Driving Voltage | Vdd - Vo | 25°C             | 4.5           | V    |
| LED Forward Voltage | Vf       | 25°C             | 4.2           | V    |
| LED Forward Current | If       | 25°C             | 500           | mA   |
| EL Power Current    | Iel      | Vel=110Vac/400Hz | 5.0           | mA   |