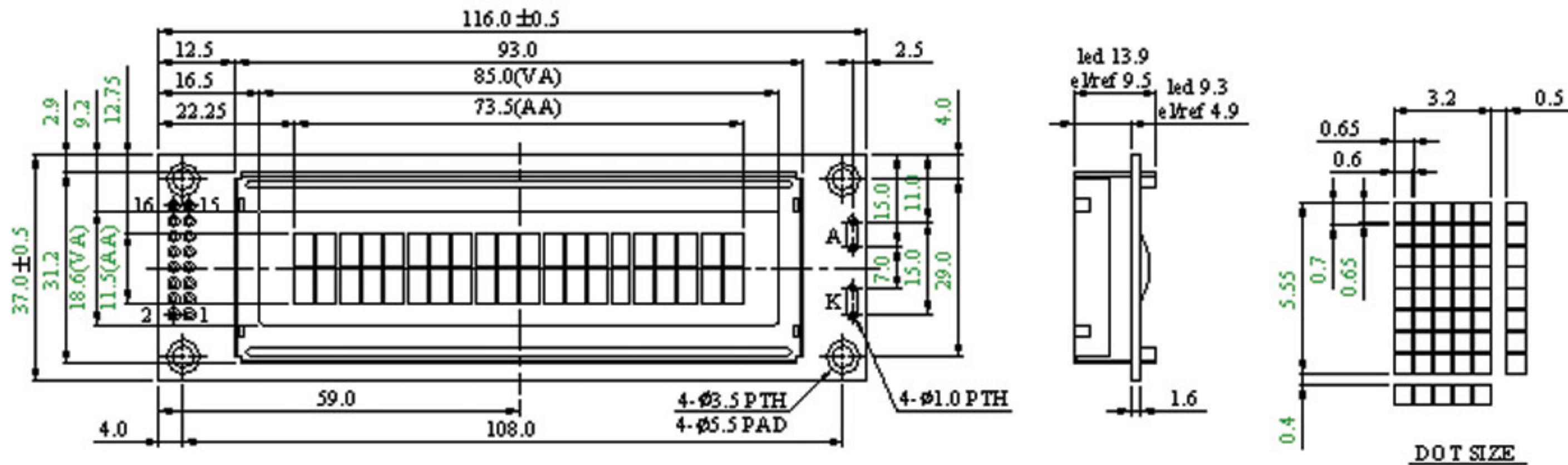




**PACKAGE DIMENSIONS:**



**FEATURES**

1. COB with metal frame
2. 5x7 dots with cursor
3. Built-in controller KS0066 or equivalent
4. + 5V single power supply
5. 1/16 duty cycle
6. LED B/L pins: 1/2, or 15/16, or A/K
7. Option: +3V single power supply
8. Option: LED, EL B/L

**MECHANICAL DATA**

Item	Standard Value	Unit
Module Dimension	116.0 x 37.0	mm
Viewing Area	85.0 x 18.6	mm
Dot Size	0.6 x 0.65	mm
Character Size	3.2 x 5.55	mm

**PIN ASSIGNMENT**

Pin	Symbol	Function
1	Vss	GND
2	Vdd	+5V(+3V option)
3	Vo	Contrast Adjustment
4	RS	H/L register select signal
5	R/W	H/L read/write signal
6	E	H -> L enable signal
7 ~ 14	DB0 ~ 7	H/L data bus line
15	A/Vee	Power supply for LED(+)/Negative Voltage output
16	K	Power supply for B/L(GND)

**ELECTRONIC CHARACTERISTICS**

Item	Symbol	Condition	Typical Value	Unit
Input Voltage	Vdd	Vdd = +5V	5.0	V
Supply Current	Idd	Vdd = +5V	1.6	mA
LCD Driving Voltage	Vdd - Vo	25°C	4.5	V
LED Forward Voltage	Vf	25°C	4.2	V
LED Forward Current	If	25°C	210	mA
EL Power Current	Iel	Vel=110Vac/400Hz	5.0	mA