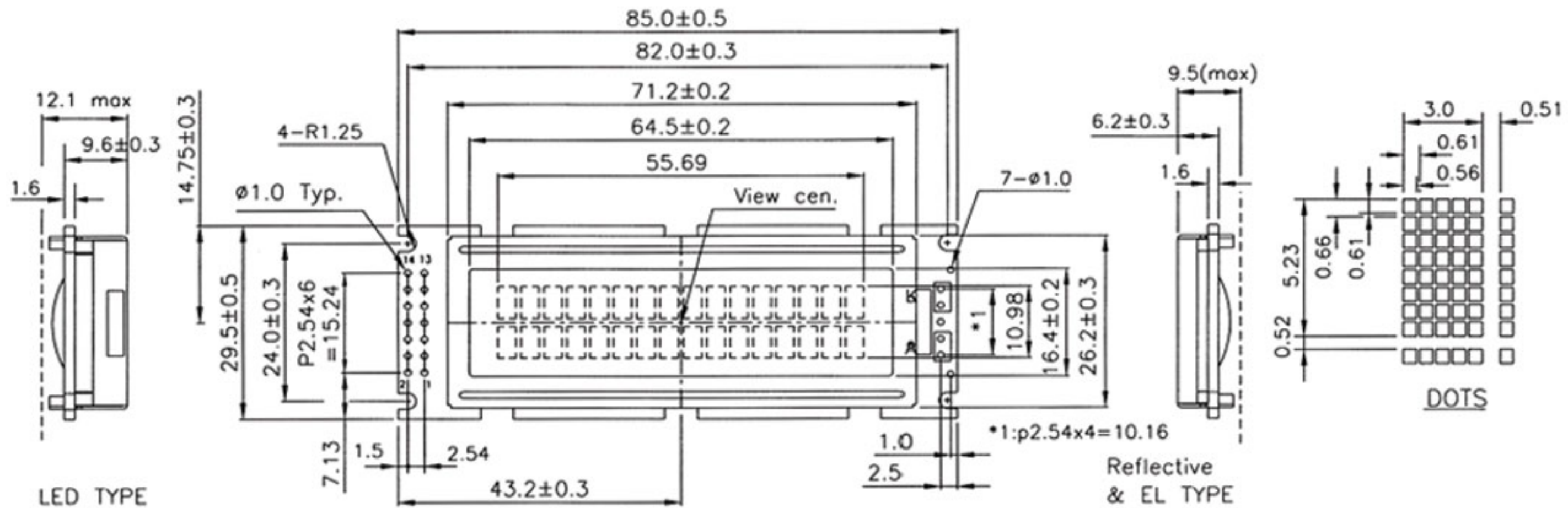
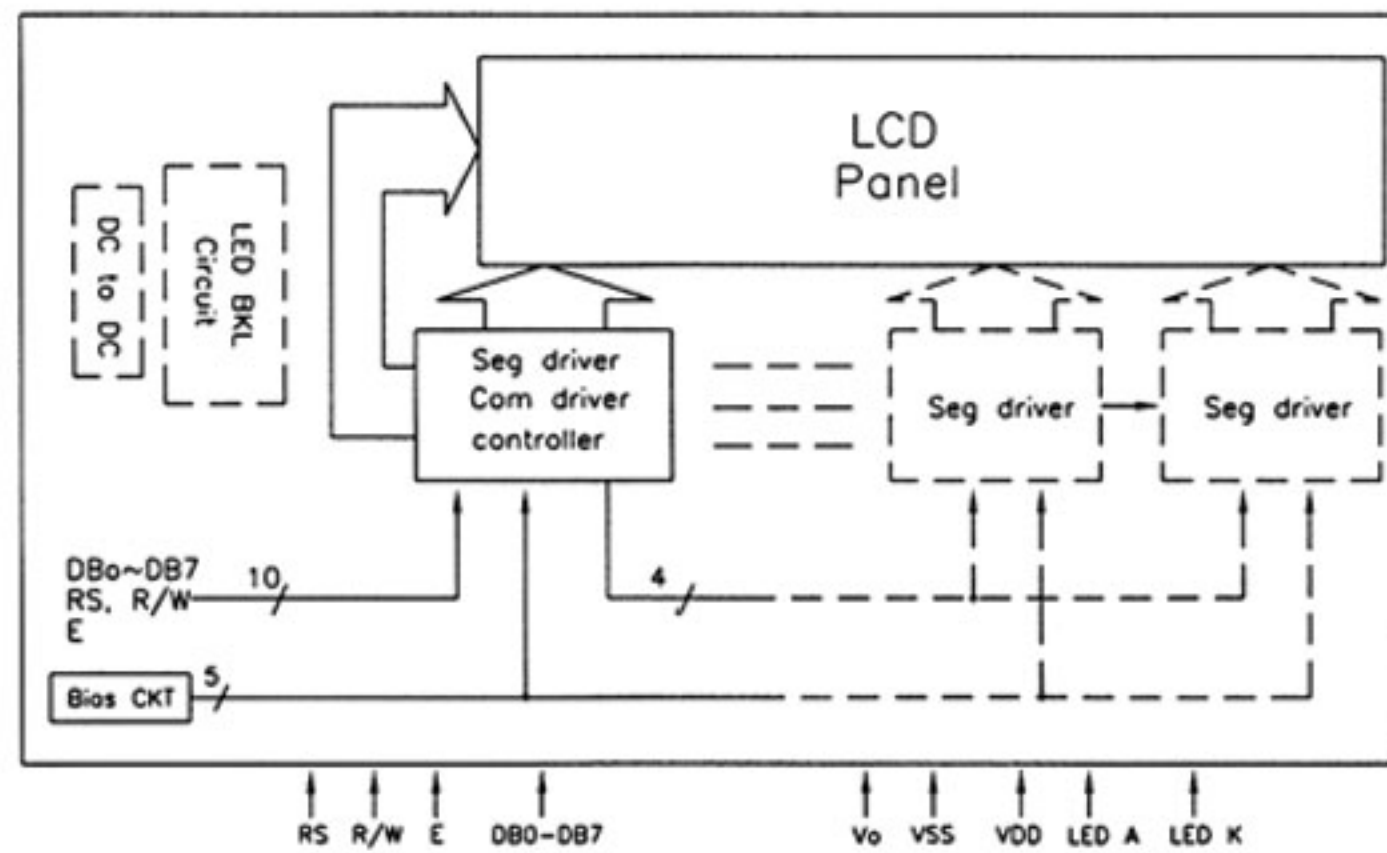
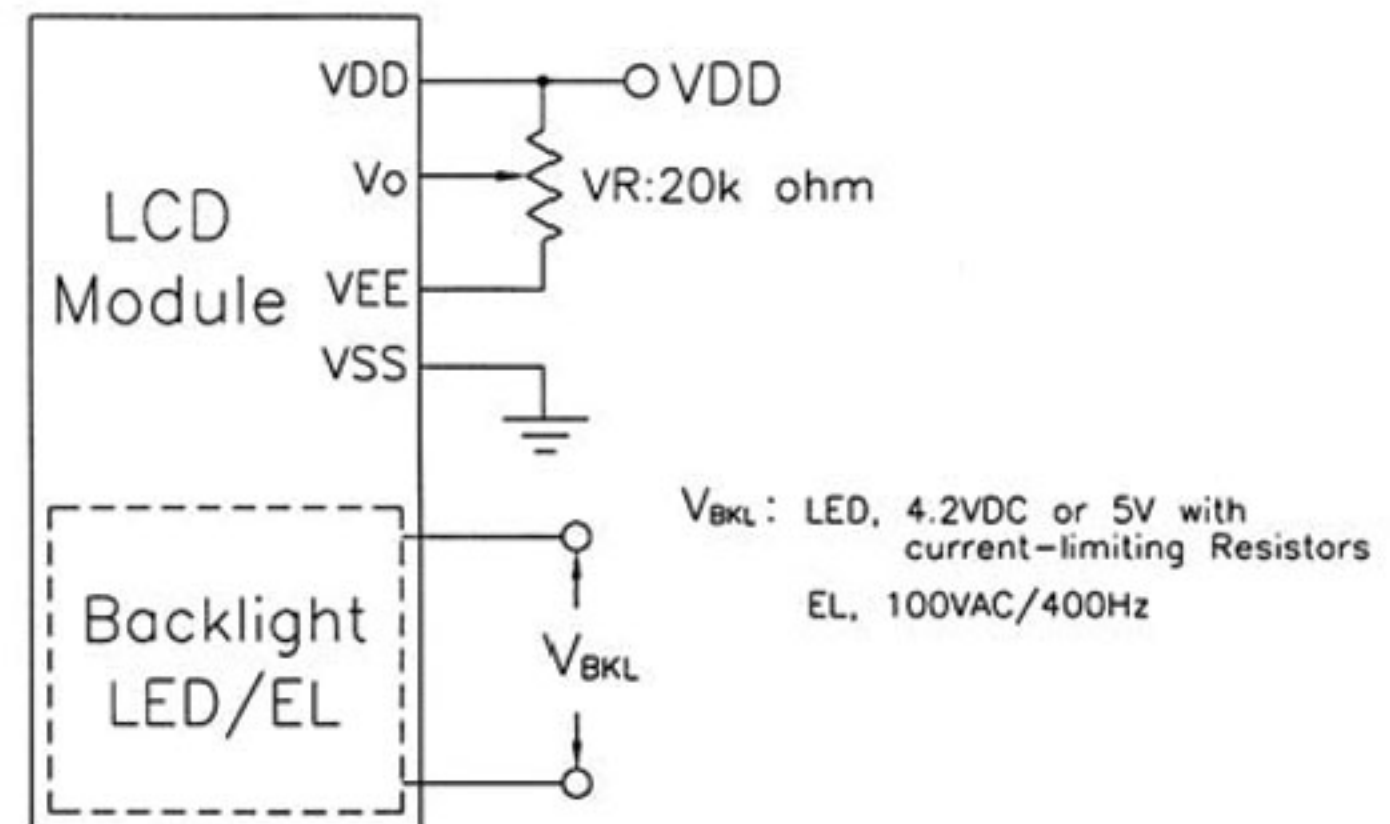


PACKAGE DIMENSIONS:

BLOCK DIAGRAM

POWER SUPPLY

GENERAL SPECIFICATION

Item	Content
Number of Character	16x2
Module Size	85.0(W)x29.5(H)x9.5/12.1(D)mm Max
Viewing Area	64.5(W)x16.4(H)mm
Character Size	3.0(W)x5.23(H)mm
Dot Size/Dot Pitch	0.56(W)x0.61(H)mm/0.61(W)x0.66(H)mm
Backlight	Without/EL/LED
Options	Gray STN/ Yellow STN/Normal/Extended Temperature/Bottom/Top Viewing

INTERFACE PIN ASSIGNMENT

Pin No.	Pin Out	Function Description
1	V _{DD}	Logic Circuit Power Supply
2	V _{SS}	Ground
3	V ₀	Power Supply for LCD Panel
4	RS	Data/Instruction Register Select
5	R/W	Read/Write Select
6	E	Enable Signal
7~14	DB0~DB7	3-State I/O Data Bus

ELECTRICAL CHARACTERISTICS

Item	Symbol	Condition	Min.	Typ.	Max.	Unit	Note
Power Supply for Logic	V _{DD} -V _{SS}	-	2.7	4.5	5.5	Volt	-
Input Voltage	V _{IL}	L level	V _{SS}	0.2V _{DD}	-	Volt	-
	V _{IH}	H level	0.8V _{DD}	V _{DD}	-	Volt	-
LCM Recommend LCD Module Driving Voltage	V _{DD} =5V	Ta=0°C	4.4	4.6	4.8	Volt	-
		Ta=25°C	4.2	4.4	4.6		
		Ta=50°C	3.9	4.0	4.2		
Power Supply Current for LCM	I _{DD} (B/L OFF)	V _{DD} =5.0V V _{DD} -V ₀ =4.4V	-	1.6	2.0	mA	-
	I _{LED}	V _{LED} =4.2V Ta=25°C	-	120	180		